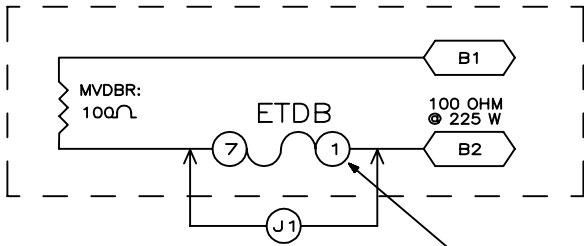
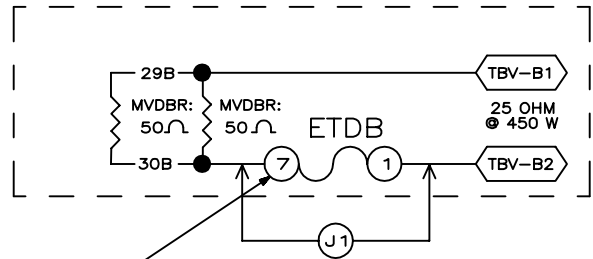


30" MACHINE- ALL



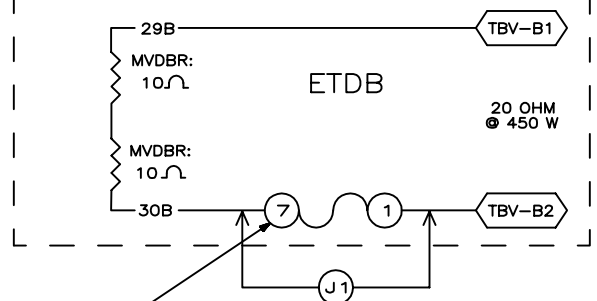
ETDB: IS REPLACED BY STDB: AFTER 5/31/04 SEE W7X8JS+ OR S+A

LOW VOLTAGE 36" MACHINE



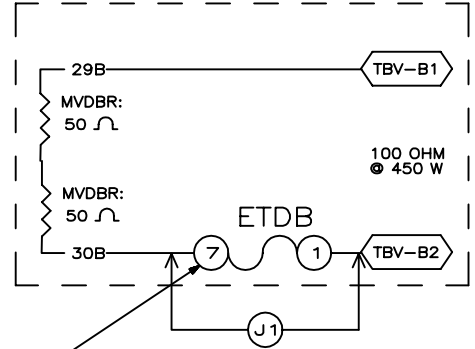
ETDB: IS REPLACED BY STDB: AFTER 5/31/04 SEE W7X8JS+ OR S+A

LOW VOLTAGE 42" MACHINE

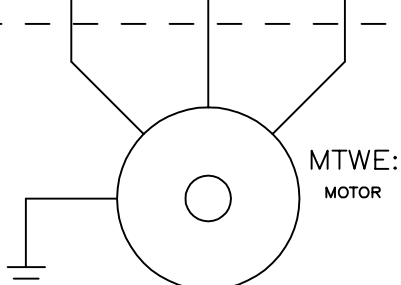
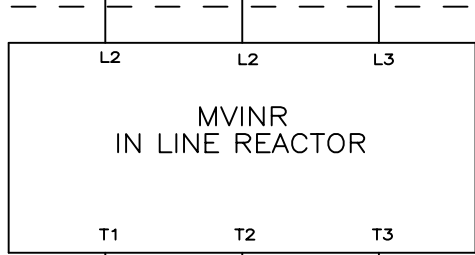
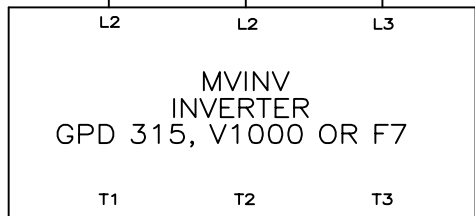
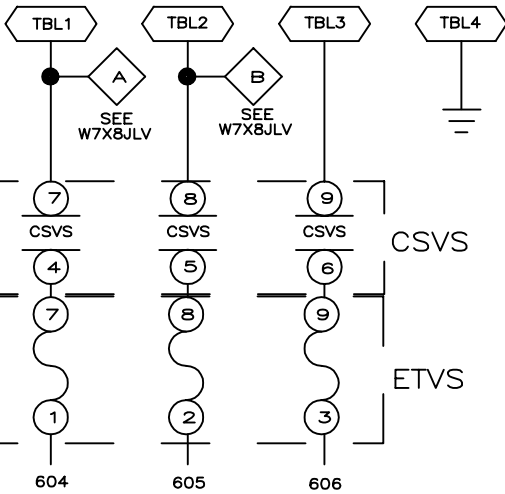


ETDB: IS REPLACED BY STDB: AFTER 5/31/04 SEE W7X8JS+ OR S+A

HIGH VOLTAGE 36" & 42"

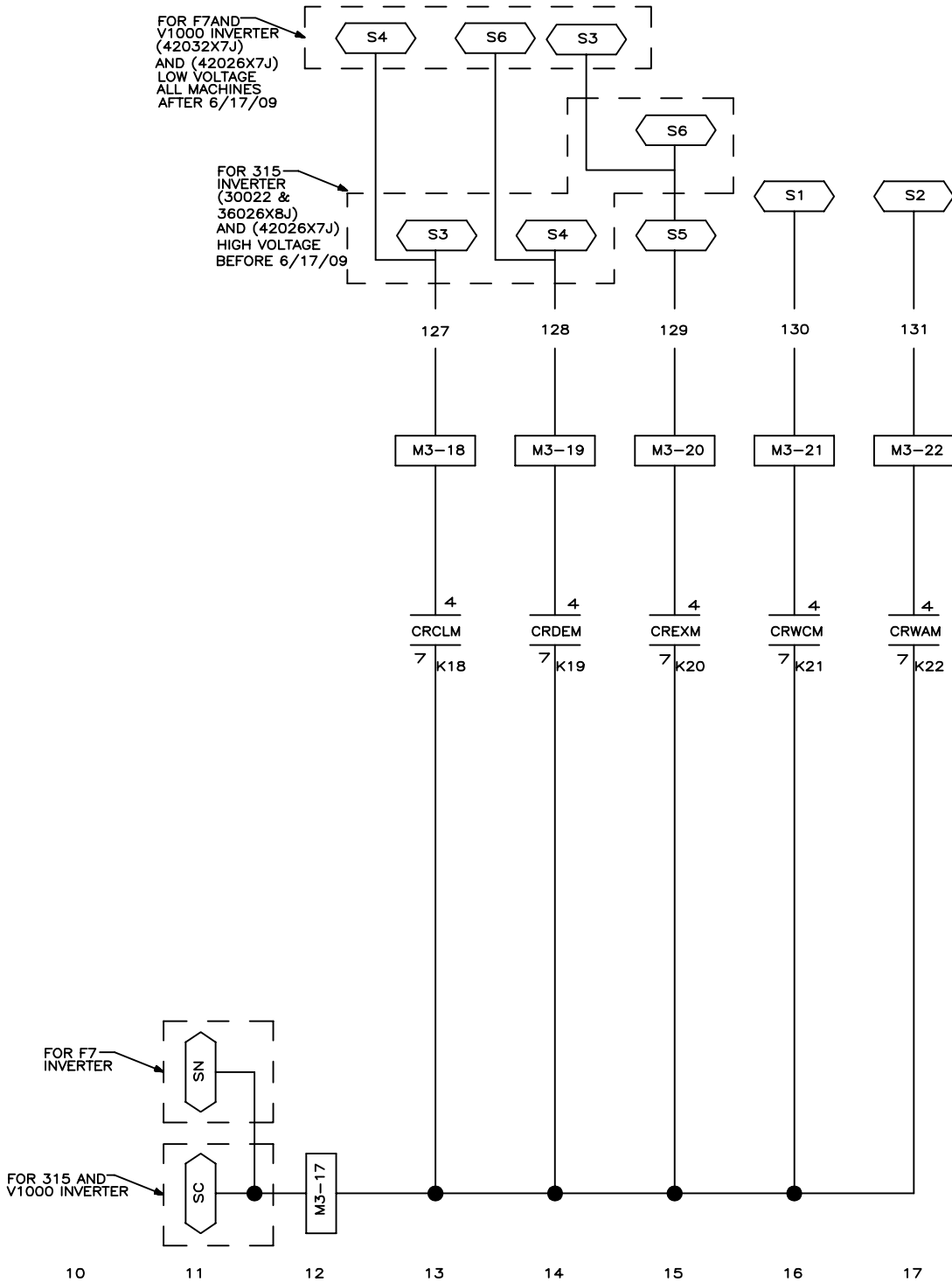


OPTIONAL ETDB: IS REPLACED BY STDB: AFTER 5/31/04 SEE W7X8JS+ OR S+A



00 01 02 03 04 05 06 07 08 09

	CW		CCW		
	K21	K22	K18	K19	K20
WASH 1	X				
WASH 2	X		X		
DRAIN	X			X	
EXTRACT 1	X				X
EXTRACT 2	X		X		X
EXTRACT 3	X			X	X
OUT OF EXTRACT					X



W7X8JVPA
SCHEMATIC: VARIABLE SPEED CONTROLLER
3-PHASE POWER
PELLERIN MILNOR CORPORATION